

Target Stress (TS) DTIs are used to verify that a chosen torque method reaches proper KSI. TS DTIs also provide a visual confirmation of work.

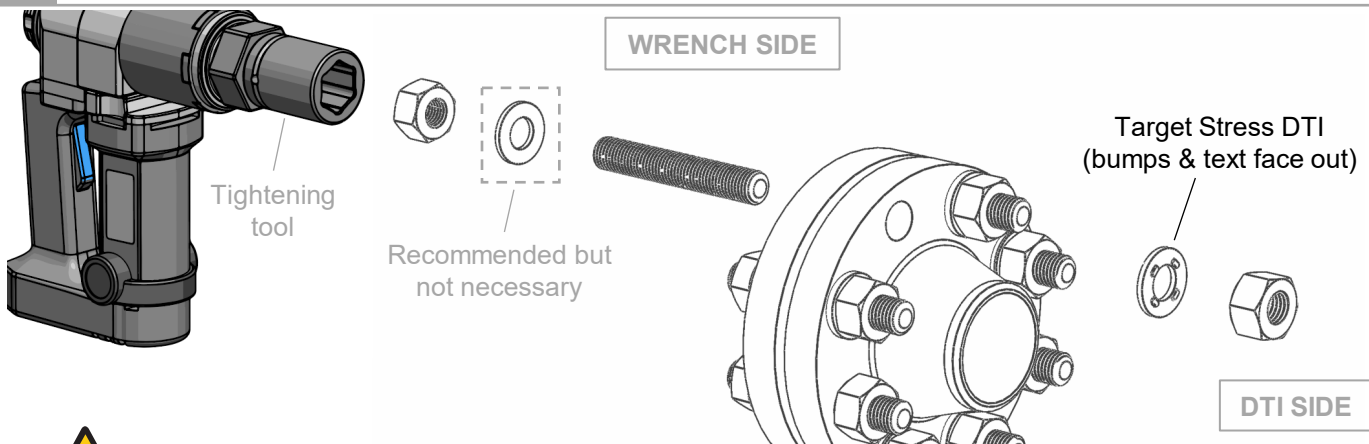


Verify

- 1 Verify you have selected the correct size and KSI Target Stress DTI for your flange.

Install

- 2 The recommended TS DTI setup is shown below (TS DTIs installed on opposite side of wrench.)



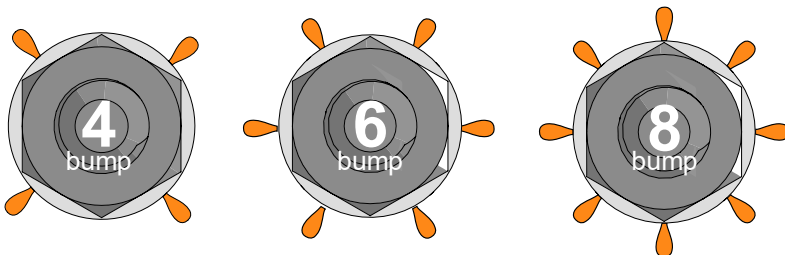
If any TS DTIs squirt during alignment process, note, then replace those parts with fresh DTIs before proceeding.

Tighten

- 3 Completely torque flange using your preferred method

Inspect

- 4 After final tightening pass, verify DuraSquirt® TS DTIs have indicated at all bump locations.



Questions?

Our experts are here to help.
Call us at **(802) 460-3100**
or email
flange@appliedbolting.com

www.appliedbolting.com